

RC01YF Series Automotive 1234YF Service Coupling

Parker's RC01YF automotive service coupling provides easy evacuating and charging of R-1234yf mobile air conditioning systems.

Features and Benefits

- Safety feature prevents coupling from flowing unless connected to service port.
- Brass coupling with plating, provides corrosion resistance.
- Red anodized knob and sleeve on the high side and blue anodized knob and sleeve on the low side assist in preventing cross-contamination between sections of the system.
- Lock-out feature that prevents actuation until the coupler is securely locked into place on the charge port.

Specifications

SAEJ2888 and SAEJ639

Temp. Rating: -40°F to +250°F
-40°C to 121°C

Maximum Operating Pressure: 500 psig

Compatible Refrigerants and Lubricants

R-1234yf and POE oil

Base Product Part Number

- RC01YF-012
Lowside field service coupling
- RC01YF-013
Highside field service coupling

*See the following page for brass and plated part numbers and configurations.

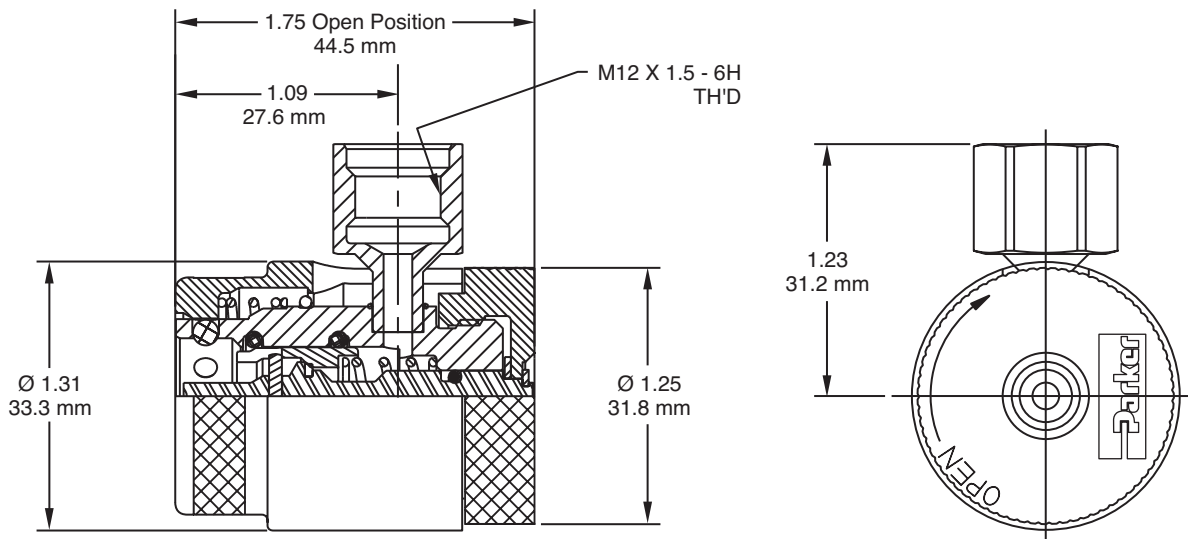


Applications

- Evacuating and charging of R-1234yf air conditioning systems

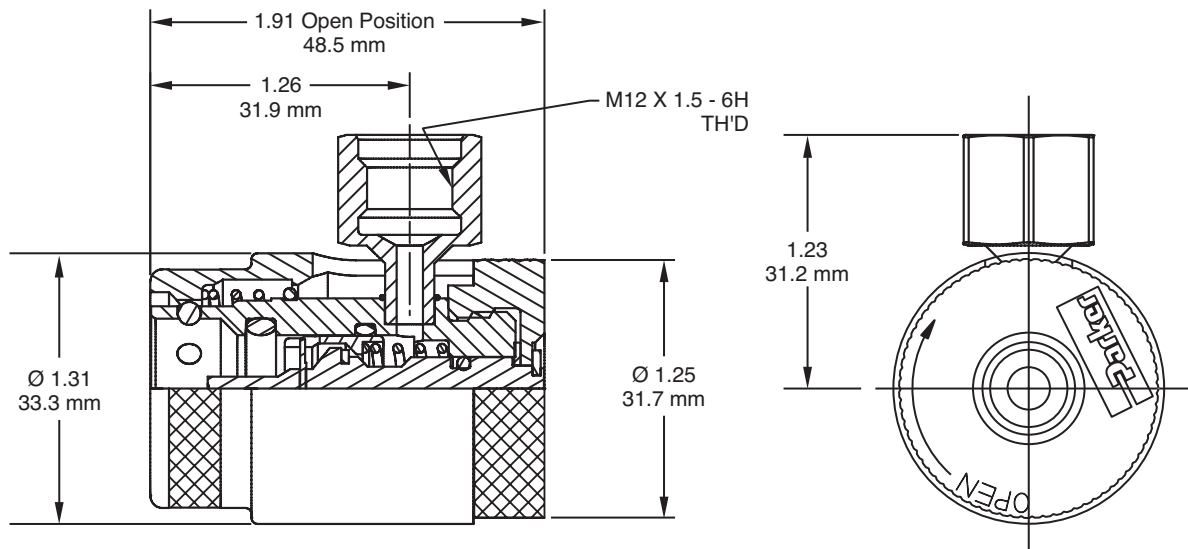
RC01YF-012 Service Coupling Assembly

Low Side, R1234yf



Dimensions

RC01YF-013 Service Coupling Assembly High Side, R1234yf



Finish	Side Port	System Side	Part Number
Plated	12 mm Female	Low Side	RC01YF-012
Plated	12 mm Female	High Side	RC01YF-013

Repair Kits

- Nose Seal Repair Kit, Part Number RA0575-001